

Part number

# MHO 48 L32



## Brief description:

hoods for single lever, size "104.62", side entry, M32, metal version, IP66

### Product description

<b>Version</b>	metal version
<b>Series</b>	hoods for single lever
<b>Product type</b>	with 2 pegs
<b>Variant</b>	side entry
<b>Family</b>	CLASS enclosures
<b>Size</b>	size "104.62"

### Technical data

<b>Material</b>	metal
<b>IP degree of protection</b>	IP66 (and IP69K DIN 40050 - 9)
<b>Cable entry</b>	M32

### Further technical details

<b>Weight</b>	738,00 g
---------------	----------

### Approvals / Standards

<b>Quality mark</b>	UL <sup>®</sup> (type:4/4X/12), <sup>®</sup> GL, EAC
<b>Conformity</b>	CQC, CE

### General ordering information

<b>EAN13 code</b>	8015747053761
<b>Tariff number</b>	85369095

### Packaging Information

<b>Packaging length</b>	290,00 mm
<b>Packaging height</b>	130,00 mm
<b>Packaging width</b>	210,00 mm
<b>Packaging weight</b>	2,95 kg
<b>Packaging volume</b>	7,92 dm <sup>3</sup>
<b>Packaging description</b>	Carton box
<b>Packaging quantity</b>	4 Pcs
<b>Packaging EAN code</b>	8015747053778
<b>Sub-packaging weight</b>	0,74 kg
<b>Sub-packaging description</b>	Plastic pakaging
<b>Sub-packaging quantity</b>	1 Pcs
<b>Sub-packaging EAN barcode</b>	8015747053785

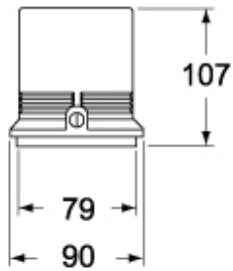
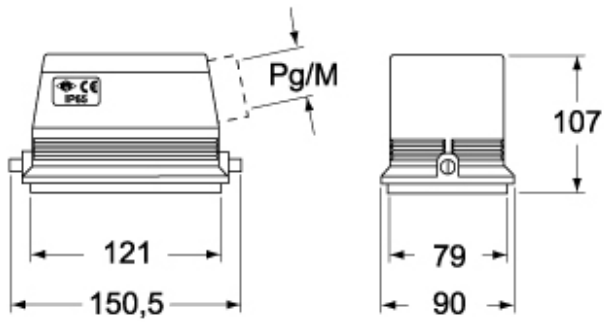
Part number

# MHO 48 L32



Catalogue drawings

**CHO L - MHO L - MFO L**



**CHV L - MHV L - MFV L**

